

MATRIC-R/DIRECT-INDIRECT



DE

LED-Pendel-Lichtlinie, direkt-indirektstrahlend. Microprismen- und Rasteroptik, alternativ Opaldiffusor mit perfekt homogener Auflösung der Lichtpunkte oder Spotlight-Optik.

Leuchtenkörper wahlweise in 4 unterschiedlichen Profil-Querschnitten (R1, R2, R3, R4) aus Aluminium-Strangpress-Profil silbermatt natureloxiert. Optional weitere Farben (s. Oberflächenübersicht).

Zwei Lichtkammern gemäß Ausführung einfach schaltbar, getrennt schaltbar oder zusammen dimmbar (1-10V, DALI, Touch-Dim). Optional getrennt dimmbar via DALI bzw. Touch-dim. Werkseitige Konverterprogrammierung ermöglicht unterschiedliche Lichtstromoptionen.

Standard LED-Farbtemperatur 3000K und 4000K. Auf Wunsch 2200K, 2700K, 3500K, 5000K, 6500K. Enge Farbtoleranz MacAdam 3. Farbwiedergabe $Ra \geq 80$, auf Anfrage $Ra > 90$ möglich.

Beliebige Längen durchgehend homogen ausgeleuchtet sowie Vielzahl zusätzlicher Konfigurationen- und Gestaltungsmöglichkeiten (s. Übersicht). Stufenlos höhenverstellbare Seilabhängung mit Zuleitung und Baldachin silber.

EN

LED pendant light-line with direct-indirect light distribution. Microprismatic screen and louvre for glare-free illumination, optional opal diffuser for perfect uniform and enhanced light transmission or spot-optic.

Luminaire body made of aluminium-profile in 4 different profile cross-sections (R1, R2, R3, R4). Matt silver anodised. On request extensive range of alternative colours (see overview).

Two light-chambers according to version separately switched or together dimmed (1-10V, DALI, Touch-Dim). Optional: separately dimmed via DALI / Touch-Dim. Factory-set drivers enable different output levels.

Standard LED colour temperature 3000K and 4000K. On request 2200K, 2700K, 3500K, 5000K, 6500K. MacAdam 3 step binning. Colour rendering $CRI \geq 80$, $CRI > 90$ on request.

Seamless lines of light in any length and wide range of additional configurations and designs (see overview). Height adjustable cord suspension with transparent power supply cable and ceiling rose silver.

FR

Bande de lumière LED suspendue avec éclairage direct et indirect. Diffuseur micro-prismatique ou grille BAP, en option diffuseur opale avec une diffusion homogène des points lumineux ou spotlight.

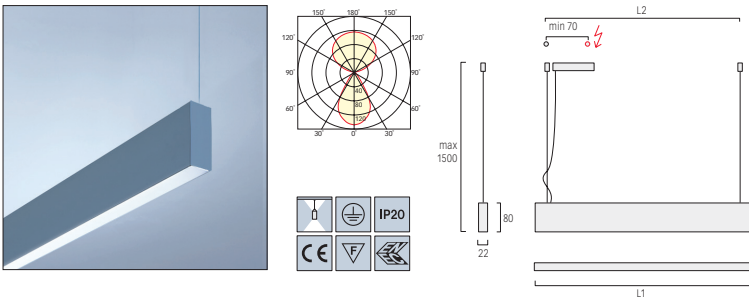
Corps du luminaire disponible en 4 sections transversales différentes (R1, R3, R4, R5) en aluminium extrudé, gris mat anodisé. Couleurs supplémentaires en option (voir annexe).

Deux compartiments lumineux accordés à la version commutable séparément ou graduable en combiné (1-10V, DALI, Touch-Dim). En Option: graduable séparément via système DALI / Touch DIM. Programmation en usine offrant différentes options de flux lumineux.

Température de couleur LED standard 3000K ou 4000K. Sur demande: 2200K, 2700K, 3500K, 5000K, 6500K (MacAdam 3). Rendu de couleur $IRC > 80$, sur demande $IRC > 90$.

Diffusion homogène dans toute la longueur du luminaire. Beaucoup de configurations et d'options de conception possibles (voir annexe). Câbles de suspension réglables en hauteur avec patère saillie grise.

MATRIC-R1 / DIRECT-INDIRECT / OPAL

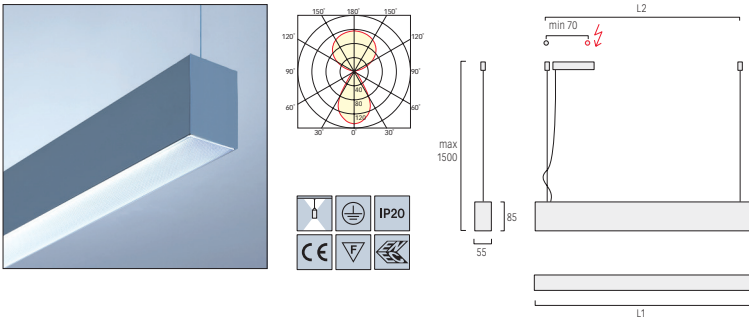


L1	L2	LUMEN/WATT	CODE	KG
LED - MEDIUM POWER				
890	875	1071lm/17W*	LR10EE-###M-L890-AS	1,4
1182	1170	1430lm/21W*	LR10EE-###M-L1182-AS	1,8
1475	1460	1785lm/26W*	LR10EE-###M-L1475-AS	2,3
1765	1750	2142lm/31W*	LR10EE-###M-L1765-AS	2,8
2350	2335	2856lm/40W*	LR10EE-###M-L2350-AS	3,6
2930	2915	3570lm/49W*	LR10EE-###M-L2930-AS	4,9

CONTROL	E: NON DIMMABLE, D: DIM 1-10V, L: DIM DALI, H: TOUCH-DIM
LED COLOUR TEMPERATURE ###	830: 3000K, 840: 4000K

*Leuchtenlichtstrom bei 4000K | Luminaire luminous flux at 4000K | Flux de luminaire à 4000K

MATRIC-R3 / DIRECT-INDIRECT / MICROPRISMATIC



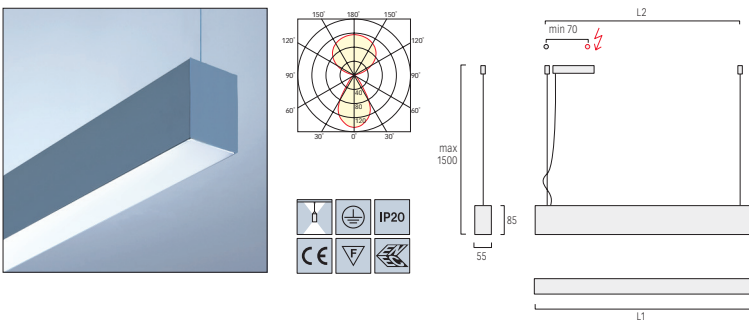
L1	L2	LUMEN/WATT	CODE	KG
LED - MEDIUM POWER				
600	570	3355lm/33W*	LR3AEE-###M-L600-AS	2,5
890	875	5033lm/46W*	LR3AEE-###M-L890-AS	3,1
1182	1170	6712lm/60W*	LR3AEE-###M-L1182-AS	3,7
1475	1460	8390lm/73W*	LR3AEE-###M-L1475-AS	4,5
1765	1750	10070lm/87W*	LR3AEE-###M-L1765-AS	5,4
2350	2335	13425lm/113W*	LR3AEE-###M-L2350-AS	7,2
2930	2915	16780lm/140W*	LR3AEE-###M-L2930-AS	9,0

L1	L2	LUMEN/WATT	CODE	KG
LED - HIGH POWER				
600	570	4850lm/48W*	LR3AEE-###H-L600-AS	2,5
890	875	7273lm/69W*	LR3AEE-###H-L890-AS	3,1
1182	1170	9700lm/91W*	LR3AEE-###H-L1182-AS	3,7
1475	1460	12125lm/112W*	LR3AEE-###H-L1475-AS	4,5
1765	1750	14546lm/133W*	LR3AEE-###H-L1765-AS	5,4
2350	2335	19395lm/175W*	LR3AEE-###H-L2350-AS	7,2
2930	2915	24243lm/218W*	LR3AEE-###H-L2930-AS	9,0

CONTROL	E: NON DIMMABLE, D: DIM 1-10V, L: DIM DALI, H: TOUCH-DIM
LED COLOUR TEMPERATURE ###	830: 3000K, 840: 4000K

*Leuchtenlichtstrom bei 4000K | Luminaire luminous flux at 4000K | Flux de luminaire à 4000K

MATRIC-R3 / DIRECT-INDIRECT / OPAL



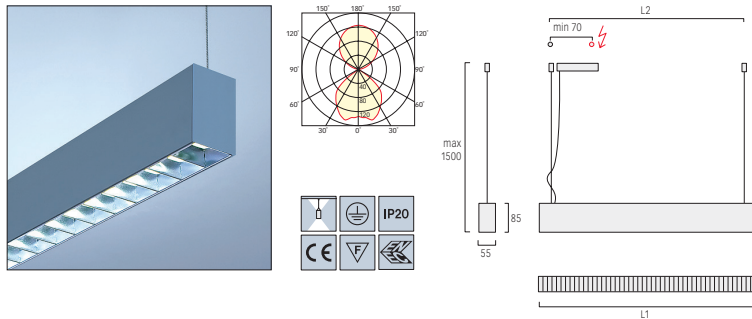
L1	L2	LUMEN/WATT	CODE	KG
LED - MEDIUM POWER				
600	570	3446lm/33W*	LR30EE-###M-L600-AS	2,5
890	875	5170lm/46W*	LR30EE-###M-L890-AS	3,1
1182	1170	6893lm/60W*	LR30EE-###M-L1182-AS	3,7
1475	1460	8616lm/73W*	LR30EE-###M-L1475-AS	4,5
1765	1750	10340lm/87W*	LR30EE-###M-L1765-AS	5,4
2350	2335	13790lm/113W*	LR30EE-###M-L2350-AS	7,2
2930	2915	17233lm/140W*	LR30EE-###M-L2930-AS	9,0

L1	L2	LUMEN/WATT	CODE	KG
LED - HIGH POWER				
600	570	4980lm/48W*	LR30EE-###H-L600-AS	2,5
890	875	7470lm/69W*	LR30EE-###H-L890-AS	3,1
1182	1170	9960lm/91W*	LR30EE-###H-L1182-AS	3,7
1475	1460	12450lm/112W*	LR30EE-###H-L1475-AS	4,5
1765	1750	14940lm/133W*	LR30EE-###H-L1765-AS	5,4
2350	2335	19920lm/175W*	LR30EE-###H-L2350-AS	7,2
2930	2915	24900lm/218W*	LR30EE-###H-L2930-AS	9,0

CONTROL	E: NON DIMMABLE, D: DIM 1-10V, L: DIM DALI, H: TOUCH-DIM
LED COLOUR TEMPERATURE ###	830: 3000K, 840: 4000K

*Leuchtenlichtstrom bei 4000K | Luminaire luminous flux at 4000K | Flux de luminaire à 4000K

MATRIC-R3 / DIRECT-INDIRECT / SATIN LOUVER



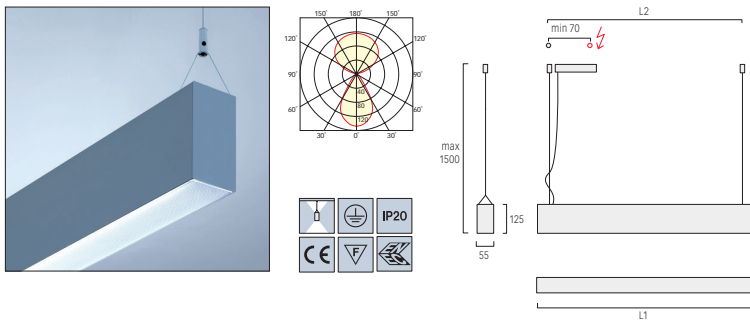
L1	L2	LUMEN/WATT	CODE	KG
LED - MEDIUM POWER				
878	863	2940lm/36W*	LR3MEE-###M-L878-AS	2,8
1182	1167	3974lm/47W*	LR3MEE-###M-L1182-AS	3,7
1486	1471	5010lm/58W*	LR3MEE-###M-L1486-AS	4,9
1754	1739	6042lm/69W*	LR3MEE-###M-L1754-AS	5,4
2362	2347	8110lm/92W*	LR3MEE-###M-L2362-AS	7,2
2970	2955	10177lm/115W*	LR3MEE-###M-L2970-AS	9,0

LED - HIGH POWER				
878	863	4152lm/52W*	LR3MEE-###H-L878-AS	2,8
1182	1167	5610lm/70W*	LR3MEE-###H-L1182-AS	3,7
1486	1471	7064lm/87W*	LR3MEE-###H-L1486-AS	4,9
1754	1739	8524lm/104W*	LR3MEE-###H-L1754-AS	5,4
2362	2347	11439lm/139W*	LR3MEE-###H-L2362-AS	7,2
2970	2955	14354lm/174W*	LR3MEE-###H-L2970-AS	9,0

CONTROL	E: NON DIMMABLE, D: DIM 1-10V, L: DIM DALI, H: TOUCH-DIM
LED COLOUR TEMPERATURE ###	830: 3000K, 840: 4000K

*Leuchtenlichtstrom bei 4000K | Luminaire luminous flux at 4000K | Flux de luminaire à 4000K

MATRIC-R4 / DIRECT-INDIRECT / MICROPRISMATIC



L1	L2	LUMEN/WATT	CODE	KG
LED - MEDIUM POWER				
600	570	2417lm/24W*	LR4AEG-###M-L600-YS	2,5
890	875	3706lm/35W*	LR4AEG-###M-L890-YS	3,1
1182	1170	4995lm/47W*	LR4AEG-###M-L1182-YS	3,7
1475	1460	6284lm/58W*	LR4AEG-###M-L1475-YS	4,5
1765	1750	7523lm/69W*	LR4AEG-###M-L1765-YS	5,4
2350	2335	10150lm/92W*	LR4AEG-###M-L2350-YS	7,2
2930	2915	12728lm/115W*	LR4AEG-###M-L2930-YS	9,0

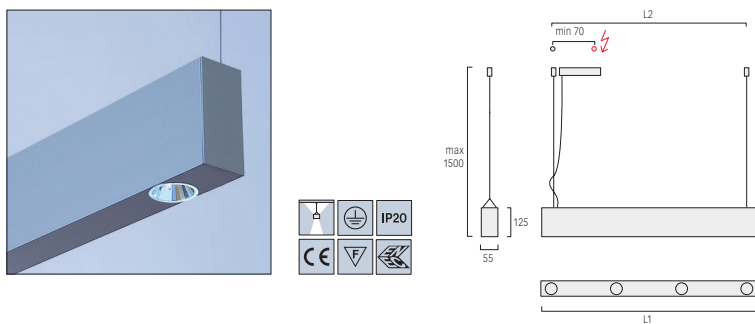
LED - HIGH POWER				
600	570	3432lm/35W*	LR4AEG-###H-L600-YS	2,5
890	875	5258lm/52W*	LR4AEG-###H-L890-YS	3,1
1182	1170	7084lm/70W*	LR4AEG-###H-L1182-YS	3,7
1475	1460	8910lm/87W*	LR4AEG-###H-L1475-YS	4,5
1765	1750	10736lm/104W*	LR4AEG-###H-L1765-YS	5,4
2350	2335	14390lm/139W*	LR4AEG-###H-L2350-YS	7,2
2930	2915	18040lm/174W*	LR4AEG-###H-L2930-YS	9,0

FLUORESCENT				
878	863	T5 1x39 + 1x39W	LR4AEGT-139+139-YS	2,8
1182	1167	T5 1x54 + 1x54W	LR4AEGT-154+154-YS	3,7
1486	1471	T5 1x49 + 1x49W	LR4AEGT-149+149-YS	4,9
1486	1471	T5 1x80 + 1x80W	LR4AEGT-180+180-YS	4,9
1682	1667	T5 2x1x39 + 2x1x39W	LR4AEGT-2-139+2-139-YS	5,4
2290	2275	T5 2x1x54 + 2x1x54W	LR4AEGT-2-154+2-154-YS	7,2
2898	2883	T5 2x1x49 + 2x1x49W	LR4AEGT-2-149+2-149-YS	9,0
3400	3385	T5 3x1x54 + 3x1x54W	LR4AEGT-3-154+3-154-YS	11,0
4310	4295	T5 3x1x49 + 3x1x49W	LR4AEGT-3-149+3-149-YS	13,9

CONTROL	G: NON DIMMABLE, D: DIM 1-10V, L: DIM DALI, H: TOUCH-DIM
LED COLOUR TEMPERATURE ###	830: 3000K, 840: 4000K

*Leuchtenlichtstrom bei 4000K | Luminaire luminous flux at 4000K | Flux de luminaire à 4000K

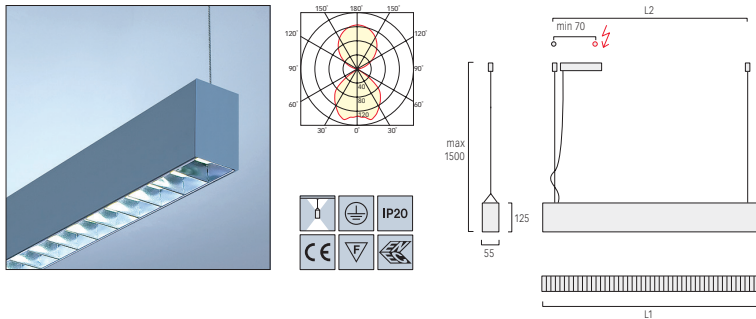
MATRIC-R4 / DIRECT-INDIRECT / SPOTLIGHT



L1	L2	LUMEN/WATT	CODE	KG
890	875	1670lm/24W + 4xLED 200lm/4W	LR4DEG-L890-4MR-YS	3,2
1182	1170	2230lm/32W + 6xLED 200lm/4W	LR4DEG-L1182-6MR-YS	4,1
1475	1460	2780lm/39W + 7xLED 200lm/4W	LR4DEG-L1475-7MR-YS	5,3

CONTROL	E: NON DIMMABLE, D: DIM 1-10V, L: DIM DALI, H: TOUCH-DIM
----------------	--

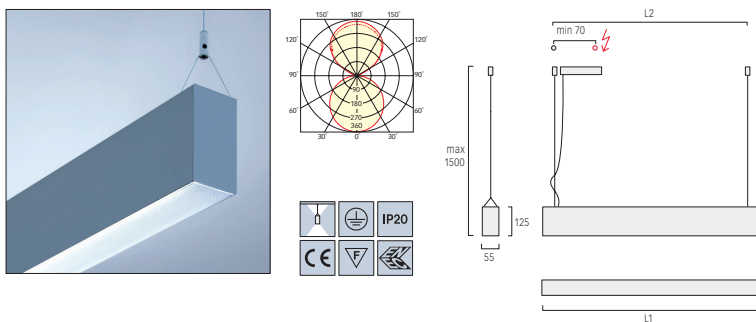
MATRIC-R4 / DIRECT-INDIRECT / SATIN LOUVER



L1	L2	LAMPS	CODE	KG
LED - MEDIUM POWER				
890	875	2940lm/36W*	LR4MEG-###M-L890-YS	2,8
1182	1170	3974lm/47W*	LR4MEG-###M-L1182-YS	3,7
1475	1460	5010lm/58W*	LR4MEG-###M-L1475-YS	4,9
1765	1750	6042lm/69W*	LR4MEG-###M-L1765-YS	5,4
2350	2335	8110lm/92W*	LR4MEG-###M-L2350-YS	7,2
2930	2915	10177lm/115W*	LR4MEG-###M-L2930-YS	9,0
LED - HIGH POWER				
890	875	4152lm/52W*	LR4MEG-###H-L890-YS	2,8
1182	1170	5610lm/70W*	LR4MEG-###H-L1182-YS	3,7
1475	1460	7064lm/87W*	LR4MEG-###H-L1475-YS	4,9
1765	1750	8524lm/104W*	LR4MEG-###H-L1765-YS	5,4
2350	2335	11439lm/139W*	LR4MEG-###H-L2350-YS	7,2
2930	2915	14354lm/174W*	LR4MEG-###H-L2930-YS	9,0
FLUORESCENT				
878	863	T5 1x39 + 1x39W	LR4MEGT-139+139-YS	2,8
1182	1167	T5 1x54 + 1x54W	LR4MEGT-154+154-YS	3,7
1486	1471	T5 1x49 + 1x49W	LR4MEGT-149+149-YS	4,9
1486	1471	T5 1x80 + 1x80W	LR4MEGT-180+180-YS	4,9
1754	1739	T5 2x1x39 + 2x1x39W	LR4MEGT-2-139+2-139-YS	5,4
2362	2347	T5 2x1x54 + 2x1x54W	LR4MEGT-2-154+2-154-YS	7,2
2970	2955	T5 2x1x49 + 2x1x49W	LR4MEGT-2-149+2-149-YS	9,0
CONTROL			G: NON DIMMABLE, D: DIM 1-10V, L: DIM DALI, H: TOUCH-DIM	
LED COLOUR TEMPERATURE ###			830: 3000K, 840: 4000K	

*Leuchtenlichtstrom bei 4000K | Luminaire luminous flux at 4000K | Flux de luminaire à 4000K

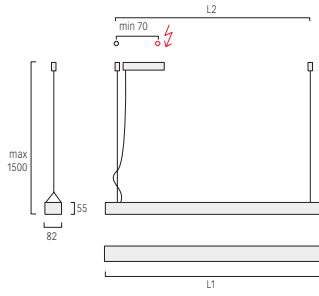
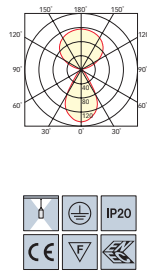
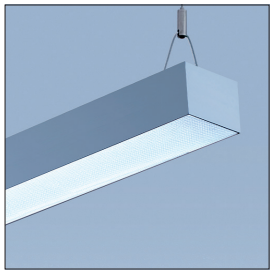
MATRIC-R4 / DIRECT-INDIRECT / OPAL



L1	L2	LUMEN/WATT	CODE	KG
LED - MEDIUM POWER				
600	570	2508lm/24W*	LR4OEG-###M-L600-YS	2,9
890	875	3842lm/35W*	LR4OEG-###M-L890-YS	3,1
1182	1170	5176lm/47W*	LR4OEG-###M-L1182-YS	3,7
1475	1460	5611lm/58W*	LR4OEG-###M-L1475-YS	4,5
1765	1750	7845lm/69W*	LR4OEG-###M-L1765-YS	5,4
2350	2335	10513lm/92W*	LR4OEG-###M-L2350-YS	7,2
2930	2915	13182lm/115W*	LR4OEG-###M-L2930-YS	9,0
LED - HIGH POWER				
600	570	3563lm/35W*	LR4OEG-###H-L600-YS	2,9
890	875	5455lm/52W*	LR4OEG-###H-L890-YS	3,1
1182	1170	7346lm/70W*	LR4OEG-###H-L1182-YS	3,7
1475	1460	9238lm/87W*	LR4OEG-###H-L1475-YS	4,5
1765	1750	11130lm/104W*	LR4OEG-###H-L1765-YS	5,4
2350	2335	14913lm/139W*	LR4OEG-###H-L2350-YS	7,2
2930	2915	18696lm/174W*	LR4OEG-###H-L2930-YS	9,0
FLUORESCENT				
878	863	T5 1x39 + 1x39W	LR4OEGT-139+139-YS	2,8
1182	1167	T5 1x54 + 1x54W	LR4OEGT-154+154-YS	3,7
1486	1471	T5 1x49 + 1x49W	LR4OEGT-149+149-YS	4,9
1486	1471	T5 1x80 + 1x80W	LR4OEGT-180+180-YS	4,9
1682	1667	T5 2x1x39 + 2x1x39W	LR4OEGT-2-139+2-139-YS	5,4
2290	2275	T5 2x1x54 + 2x1x54W	LR4OEGT-2-154+2-154-YS	7,2
2898	2883	T5 2x1x49 + 2x1x49W	LR4OEGT-2-149+2-149-YS	9,0
3400	3385	T5 3x1x54 + 3x1x54W	LR4OEGT-3-154+3-154-YS	11,0
4310	4295	T5 3x1x49 + 3x1x49W	LR4OEGT-3-149+3-149-YS	13,9
CONTROL			G: NON DIMMABLE, D: DIM 1-10V, L: DIM DALI, H: TOUCH-DIM	
LED COLOUR TEMPERATURE ###			830: 3000K, 840: 4000K	

*Leuchtenlichtstrom bei 4000K | Luminaire luminous flux at 4000K | Flux de luminaire à 4000K

MATRIC-R5 / DIRECT-INDIRECT / MICROPRISMATIC

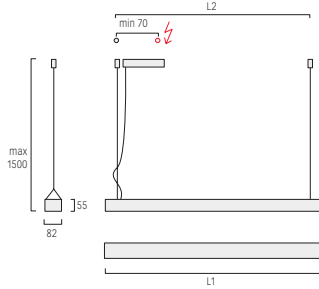
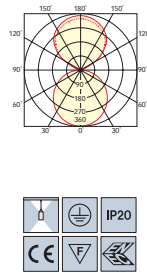
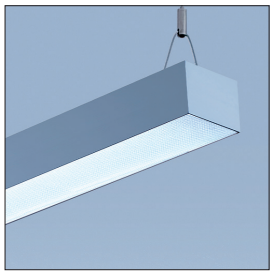


L1	L2	LUMEN/WATT	CODE	KG
LED - MEDIUM POWER				
890	875	2534lm/29W*	LR5AEE-###M-L890-YS	2,9
1182	1170	3379lm/37W*	LR5AEE-###M-L1182-YS	3,6
1475	1460	4223lm/45W*	LR5AEE-###M-L1475-YS	4,1
1765	1750	5068lm/53W*	LR5AEE-###M-L1765-YS	5,5
2350	2335	6758lm/69W*	LR5AEE-###M-L2350-YS	6,1
2930	2915	8447lm/84W*	LR5AEE-###M-L2930-YS	7,3
LED - HIGH POWER				
890	875	3505lm/40W*	LR5AEE-###H-L890-YS	2,9
1182	1170	4673lm/51W*	LR5AEE-###H-L1182-YS	3,6
1475	1460	5842lm/63W*	LR5AEE-###H-L1475-YS	4,1
1765	1750	7010lm/74W*	LR5AEE-###H-L1765-YS	5,5
2350	2335	9348m/97W*	LR5AEE-###H-L2350-YS	6,1
2930	2915	11684lm/120W*	LR5AEE-###H-L2930-YS	7,3

CONTROL	E: NON DIMMABLE, L: DIM DALI, H: TOUCH-DIM
LED COLOUR TEMPERATURE ###	830: 3000K, 840: 4000K

*Leuchtenlichtstrom bei 4000K | Luminaire luminous flux at 4000K | Flux de luminaire à 4000K

MATRIC-R5 / DIRECT-INDIRECT / OPAL

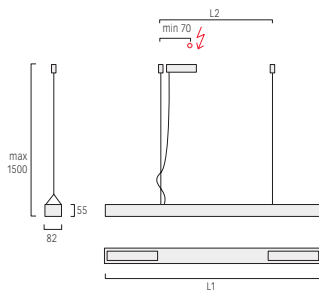
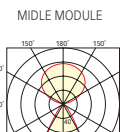
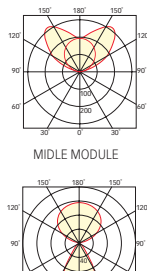
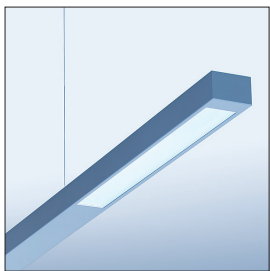


L1	L2	LUMEN/WATT	CODE	KG
LED - MEDIUM POWER				
890	875	2412lm/29W*	LR5OEE-###M-L890-YS	2,9
1182	1170	3217lm/37W*	LR5OEE-###M-L1182-YS	3,6
1475	1460	4021lm/45W*	LR5OEE-###M-L1475-YS	4,1
1765	1750	4825lm/53W*	LR5OEE-###M-L1765-YS	5,5
2350	2335	6434lm/69W*	LR5OEE-###M-L2350-YS	6,1
2930	2915	8042lm/84W*	LR5OEE-###M-L2930-YS	7,3
LED - HIGH POWER				
890	875	3339lm/40W*	LR5OEE-###H-L890-YS	2,9
1182	1170	4452lm/51W*	LR5OEE-###H-L1182-YS	3,6
1475	1460	5565lm/63W*	LR5OEE-###H-L1475-YS	4,1
1765	1750	6678lm/74W*	LR5OEE-###H-L1765-YS	5,5
2350	2335	8904m/97W*	LR5OEE-###H-L2350-YS	6,1
2930	2915	11130lm/120W*	LR5OEE-###H-L2930-YS	7,3

CONTROL	E: NON DIMMABLE, L: DIM DALI, H: TOUCH-DIM
LED COLOUR TEMPERATURE ###	830: 3000K, 840: 4000K

*Leuchtenlichtstrom bei 4000K | Luminaire luminous flux at 4000K | Flux de luminaire à 4000K

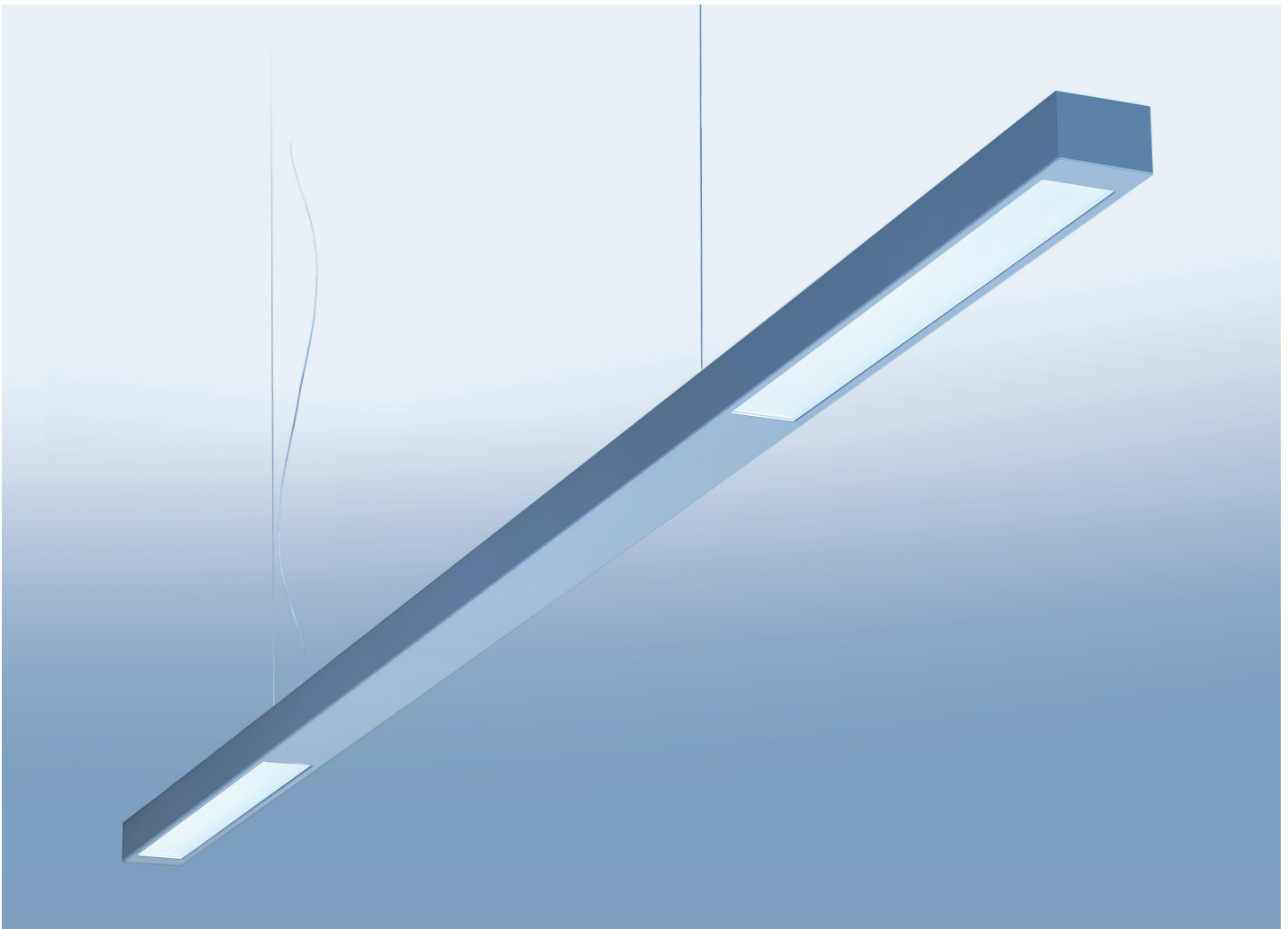
MATRIC-R6 WORK ZONE / DIRECT-INDIRECT / MICROPRISMATIC



L1	L2	LUMEN/WATT	CODE	KG
LED - MEDIUM POWER				
2680	1700	13610lm/122W*	LR6AEG-###M-L2680-YS	7,3

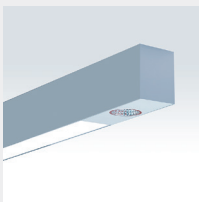
CONTROL	G: SEPARATELY SWITCHABLE, L: DIM DALI, H: TOUCH-DIM
LED COLOUR TEMPERATURE ###	830: 3000K, 840: 4000K

*Leuchtenlichtstrom bei 4000K | Luminaire luminous flux at 4000K | Flux de luminaire à 4000K

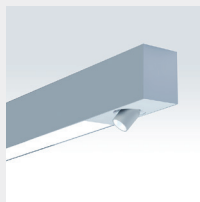


MATRIC-R6 WORK ZONE

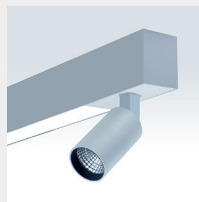
OPTIONAL



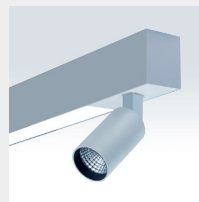
SPOTLIGHT TYPE: MR
MAX. 800LM



SPOTLIGHT TYPE: AC
MAX. 500LM



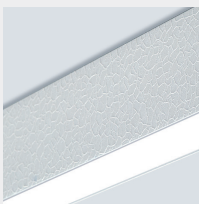
SPOTLIGHT TYPE: RX3
MAX. 1300LM



SPOTLIGHT TYPE: RX5
MAX. 4000LM



3-PHASE TRACK



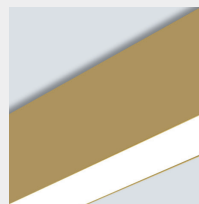
WHITE KROKO



SPARKLING ANTHRACITE



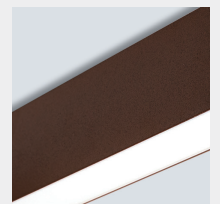
BLACK RAVEN



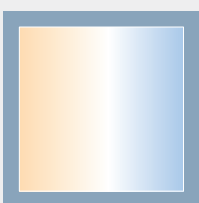
MAJESTIC GOLD



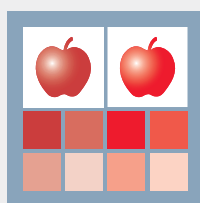
COZY COPPER



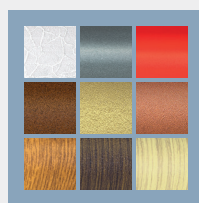
STALWART RUST



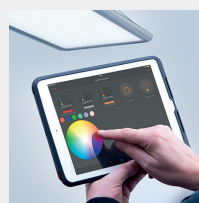
ALTERNATIVE COLOUR
TEMPERATURES:
2200K/ 3500K/ 6500K



LEDS WITH
HIGHER CRI
Ra>90



FURTHER SELECTED
SURFACE DESIGNS:
SEE PAGE 15



BLUETOOTH
MODULE FOR
WIRELESS CONTROL



EMERGENCY
MODULE WITH
3 HOUR BATTERY



MULTISENSOR
FOR DAYLIGHT AND
PRESENCE CONTROL