

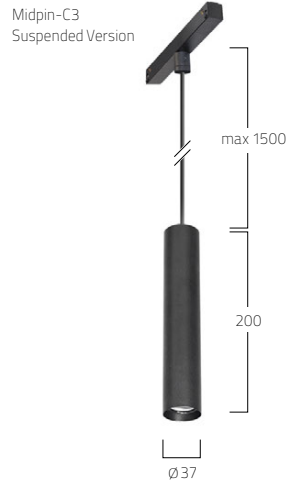
MIDPIN
MAGNETIC TRACK SUSPENDED



DE LED-Strahler für 48V-Stromschienen mit magnetischer Halterung. Rein direktstrahlend. Oberfläche schwarz lackiert. 350° drehbar und 90° schwenkbar. Farbtemperaturen wahlweise 2700K, 3000K oder 4000K. Binning initial ≤ MacAdam 3. Farbwiedergabe CRI>90. Austauschbare Linsenoptiken mit Ausstrahlwinkel 20° (Spot), 30° (Medium) oder 40° (Flood). Wahlweise einfach schaltbar oder stufenlos dimmbar (DALI). Separat bestellbare Matric-R1-Systempendelleuchten mit integrierter 48V-Stromschiene und optionalen indirekten Lichtanteil (2700K, 3000K oder 4000K). Maximale Systemflexibilität durch umfangreiches Standardsortiment an Winkelverbindern sowie Zuschnitt nach Maß.

EN LED spotlight for 48V tracks with magnetic holder. Direct only light distribution. Surface black coated. 350° rotatable and 90° tiltable. Colour temperatures optionally 2700K, 3000K or 4000K. Binning initial ≤ MacAdam 3. Colour rendering CRI>90. Changeable lens optics with beam angle 20° (spot), 30° (medium) or 40° (flood). Optionally switchable or dimmable (DALI). Matric-R1 system pendant luminaires can be ordered separately with integrated 48V track and optional indirect light part (2700K, 3000K or 4000K). Maximum system flexibility due to extensive standard range of angle connectors and custom-made lengths.

FR Projecteur LED pour rail 48V à système de fixation magnétique. Éclairage seulement direct. Surface laquée noir. Orientable à 350° et pivotant à 90°. Température de couleur 2700K, 3000K ou 4000K. Binning initial ≤ MacAdam 3. Rendu de couleur CRI>90. Optique de lentilles interchangeables avec faisceau/angle d'ouverture 20° (spot), 30° (medium) ou 40° (flood). Au choix ON/OFF ou graduable (DALI). Système suspendu modulaire MATRIC R1 avec rail 48V intégré disponible sur commande avec en option un éclairage indirect LED (2700K, 3000K ou 4000K). Flexibilité du système maximale grâce à un assortiment standard très large d'angles de jonctions tout comme de découpes sur-mesures.



PRODUCT-CODE: D C2 A B E - 9 27 M

PRODUCT FAMILY	- D: Midpin
TYPE	- C2: Build-In Version for Low Voltage Magnetic Track - C3: Suspended Version for Low Voltage Magnetic Track
BEAM ANGLE	- A: Spot 20°, B: Medium 30°, C: Flood 40°
SURFACE FINISH	- B: Jet Black, W: Snow White
CONTROL GEAR	- E: On/Off, L: DALI
COLOUR RENDER.	- 9: CRI>90
COLOUR TEMP.	- 27: 2700K, 30: 3000K, 40: 4000K
POWER	- M: Medium Power



SPOT 20° LED ENGINE ECO, MEDIUM POWER

Mounting Height	Average Illuminance [Lux] center/side	Beam Diameter
1 m	3700/1756	0.41 m
2 m	925/439	0.83 m
3 m	411/195	1.20 m
4 m	231/110	1.70 m

LED Engine	2700K	3000K	3500K	4000K
11,0W	620	720	760	760

MEDIUM 30° LED ENGINE ECO, MEDIUM POWER

Mounting Height	Average Illuminance [Lux] center/side	Beam Diameter
1 m	2079/929	0.57 m
2 m	520/232	1.10 m
3 m	231/103	1.70 m
4 m	130/58	2.30 m

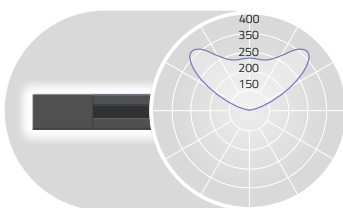
LED Engine	2700K	3000K	3500K	4000K
11,0W	610	710	750	750

FLOOD 40° LED ENGINE ECO, MEDIUM POWER

Mounting Height	Average Illuminance [Lux] center/side	Beam Diameter
1 m	1454/591	0.77 m
2 m	364/148	1.50 m
3 m	162/66	2.30 m
4 m	91/37	3.10 m

LED Engine	2700K	3000K	3500K	4000K
11,0W	620	730	770	770

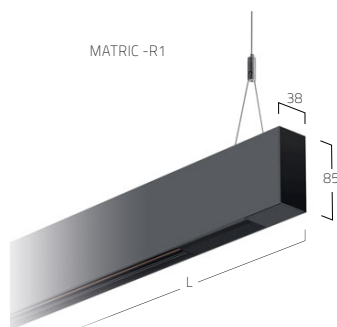
LENS | INDIRECT



INDIRECT 100%

L mm	Lumen/Watt Medium Power	Lumen/Watt High Power
1100	1920lm/14W	2600lm/19W
2100	4030lm/26W	5450lm/35W

MATRIC -R1



PRODUCT-CODE: L R1 S B E - 8 30 M - L1100 - Y

PRODUCT FAMILY	- L: Matric
TYPE	- R1: Suspended Direct-Indirect
OPTICAL SYSTEM	- S: Low Voltage Track, Lens for Indirect Lighting
SURFACE FINISH	- B: Jet Black, W: Snow White
CONTROL GEAR	- E: On/Off, L: DALI
COLOUR REND.	- 8: CRI>80, 9: CRI>90, F: Full Spectrum
COLOUR TEMP.	- 22: 2200K, 27: 2700K, 30: 3000K, 35: 3500K, 40: 4000K, 65: 6500K
POWER	- M: Medium Power, H: High Power
SIZE	- Luminaire Length in mm: L1100, L2100
SUSPENSION	- Y: Y-Cord Suspension

