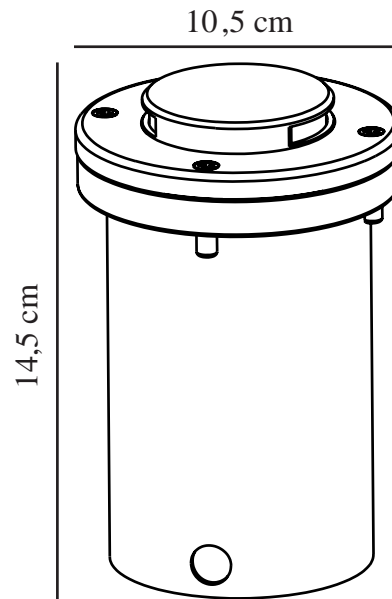


# TILOS 1-KIT | RECESSED LIGHT | STAINLESS STEEL

nordlux®

96409934



Voltage (V): 230 Volt  
IP degree: IP67  
Maximum bulb wattage (W): 5W  
Class (Class 1, Class 2, Class 3):  
Class 2 (Double isolated)  
Socket type: GU10  
Parallel connection: True

Height (cm): 14.1  
EAN: 5704924005978  
TUN: 2141006  
Item Number: 96409934  
Pcs Per Master Carton: 3

Sales Box Height (cm): 15.5  
Sales Box Width(cm): 12  
Sales Box Depth (cm): 12  
Sales Box Volume m<sup>3</sup> : 0.0022  
Product net weight (kg): 0.56

Primary material: Stainless steel  
Secondary material: Plastic  
Suitable for Seaside: False  
Colour: Stainless steel

• Parallel connection possible

The exterior floor light is made from robust stainless steel and glass. The light allows you to determine the direction of the light by rotating the top piece. This is a light that fits in neutrally with its surroundings and provides a pleasant light.

Maintenance: Treat with acid-free oil 3-4 times a year. We do not recommend stainless steel light fixtures for aggressive environments.